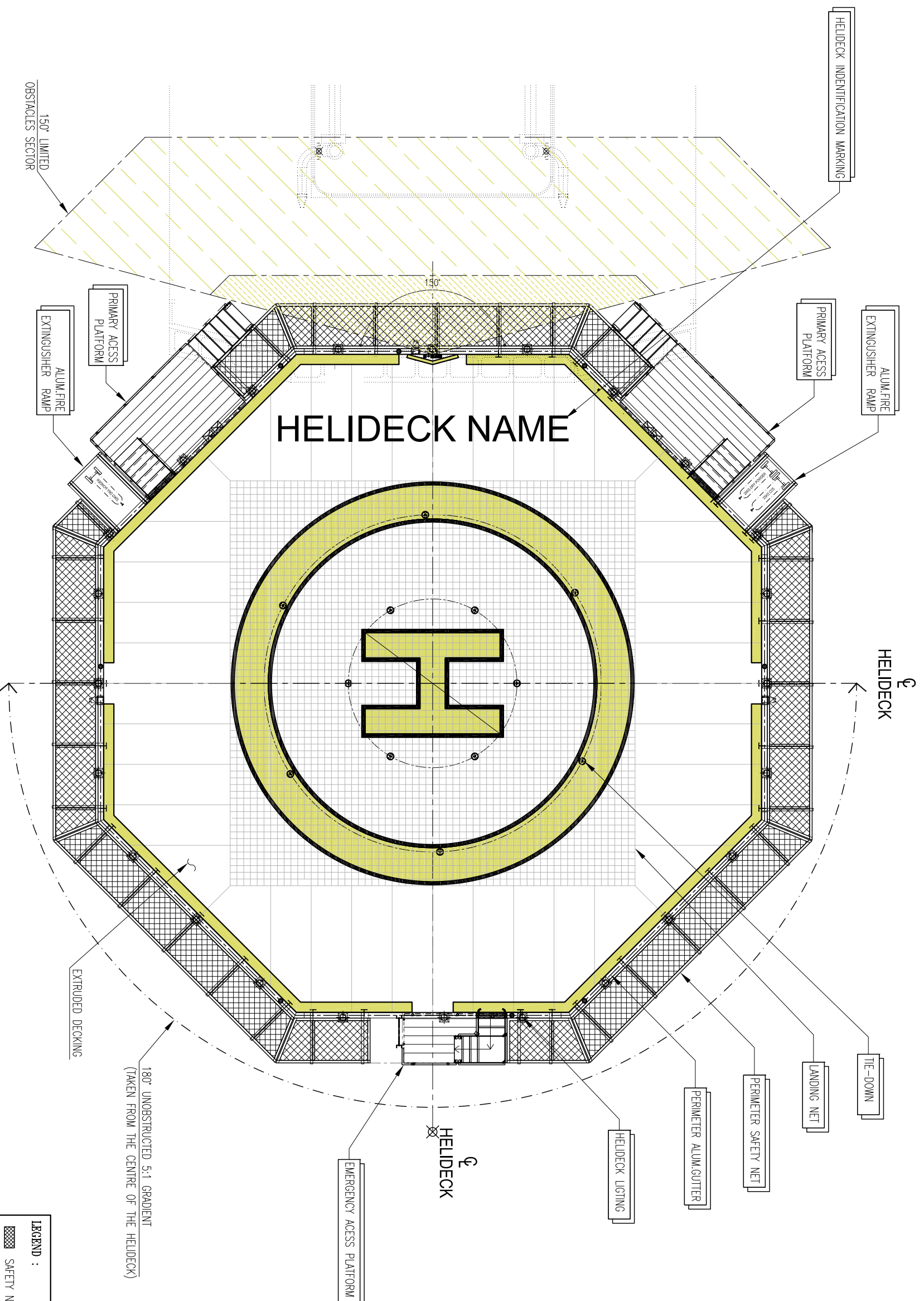


GENERAL NOTES:
 1.0 INSULATION SHEET SHALL BE PROVIDED IN BETWEEN THE CONTACT SURFACES OF ALUMINIUM AND STEEL.
 2.0 APPLICABLE CODES AND STANDARDS :
 CAP 437 – UK,CAA
 CLASS RULES
 CLIENT SPECIFICATION
 3.0 ALL BOLTS TO BE S.S 316.
 4.0 ALL ALUMINIUM MATERIALS TO BE AA6082 & AA6061 UNLESS OTHERWISE STATED.



HELIDECK GENERAL ARRANGEMENT LAYOUT

LEGEND :

- SAFETY NET
- LANDING NET
- PERIMETER MARKING
- PERIMETER GUTTER
- JUNCTION BOX
- PERIMETER LIGHT
- TIE DOWN POINT

CUSTOMER	ABC	
PROJECT NAME	ASTECH® ALUMINIUM HELIDECK	
DESCRIPTION	HELIDECK GENERAL ARRANGEMENT LAYOUT	
JOB NO.	HA	SCALE
NAME	HA/-/	DRAWING NO.
DATE	-	CAD FILE NO.
DESIGNED	-	AS SHOWN
DRAWN	-	REV.
CHECKED	VR	SHEET/SHEETS

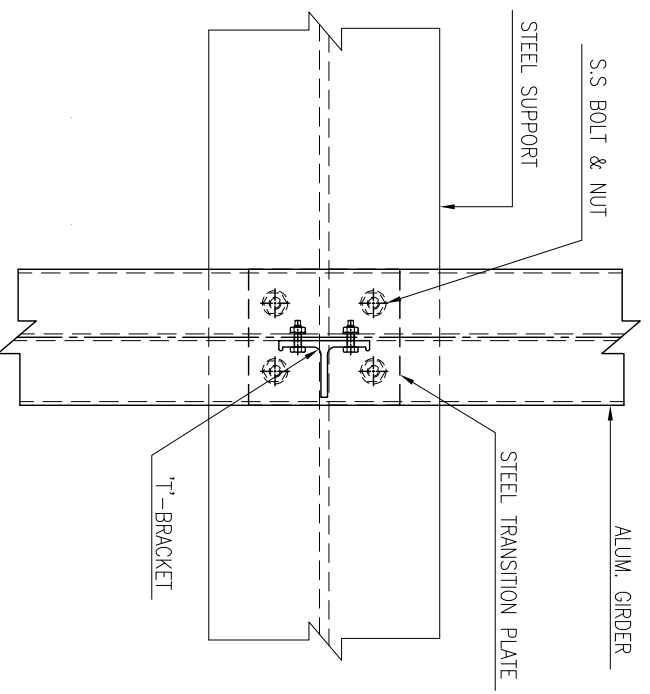
UNLESS OTHERWISE STATED ALL DIMENSION ARE IN MM

Aluminium Offshore

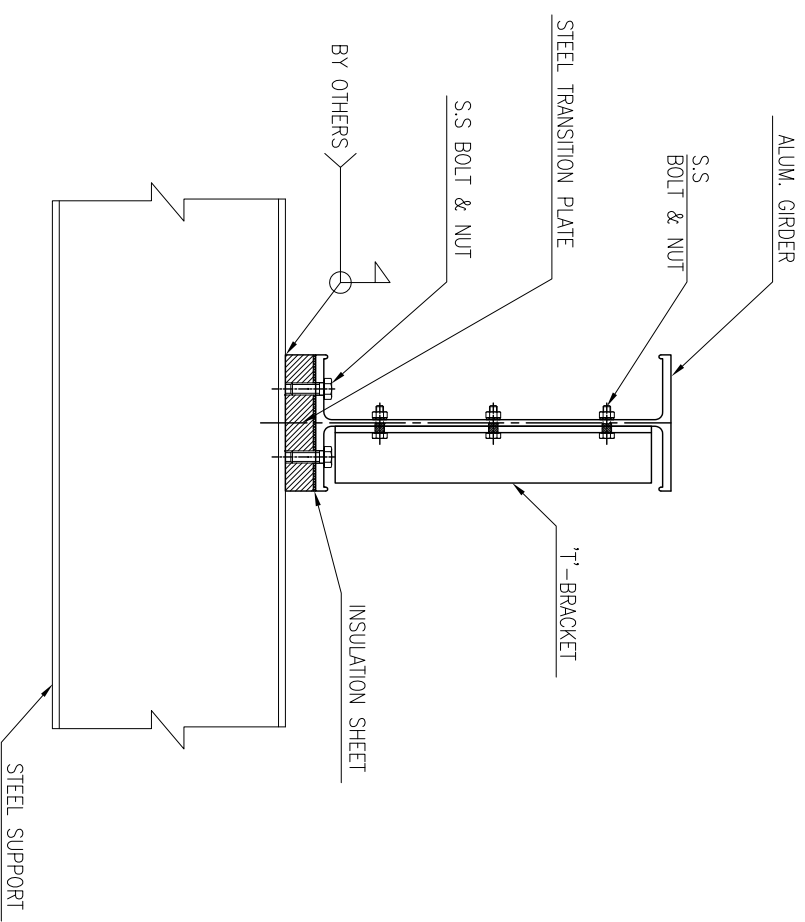
Aluminium Offshore Pte Ltd
 2 International Business Park #10-08
 The Strategy Tower 1 Singapore 609930
 T: +65 6316 1232 F: +65 6316 1262
 info@aluminium-offshore.com
 Company Registration No.: 189206651K

REV.	AMENDMENTS	INITIAL	DATE

NOTICE
 THIS DRAWING AND THE INFORMATION IT CONTAINS ARE THE PROPERTY OF ALUMINIUM OFFSHORE PTE LTD AND MAY NOT BE REPRODUCED OR TRANSMITTED IN ANY FORM OR BY ANY MEANS, ELECTRONIC OR MECHANICAL, WITHOUT WRITTEN PERMISSION.



A TYP. ALUM. GIRDER CONNECTION TO STEEL BEAM DETAIL
SCALE 1 : 10



E1 SECTION
SCALE 1 : 10

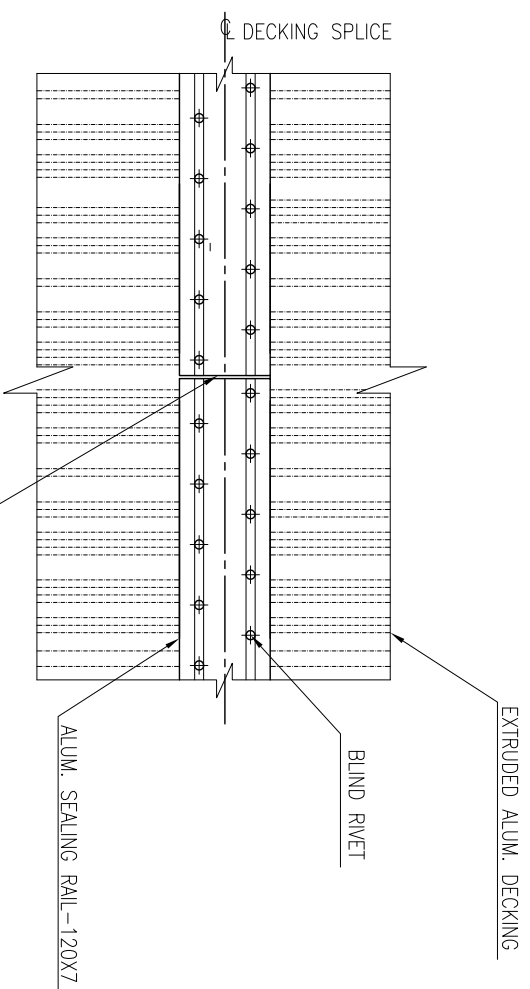
REV.	AMENDMENTS	INITIAL	DATE

NOTICE	THIS DRAWING AND THE INFORMATION IT CONTAINS ARE THE PROPERTY OF ALUMINIUM OFFSHORE PTE LTD AND MAY NOT BE REPRODUCED OR TRANSMITTED IN ANY FORM OR BY ANY MEANS, ELECTRONIC OR MECHANICAL, WITHOUT PERMISSION.
ALUMINIUM OFFSHORE	Aluminium Offshore Pte Ltd 2 International Business Park #10-08 The Strategy Tower 1 Singapore 609930 T +65 6316 1232 F +65 6316 1242 asi@aluminium-offshore.com Company Registration No. 189206651K

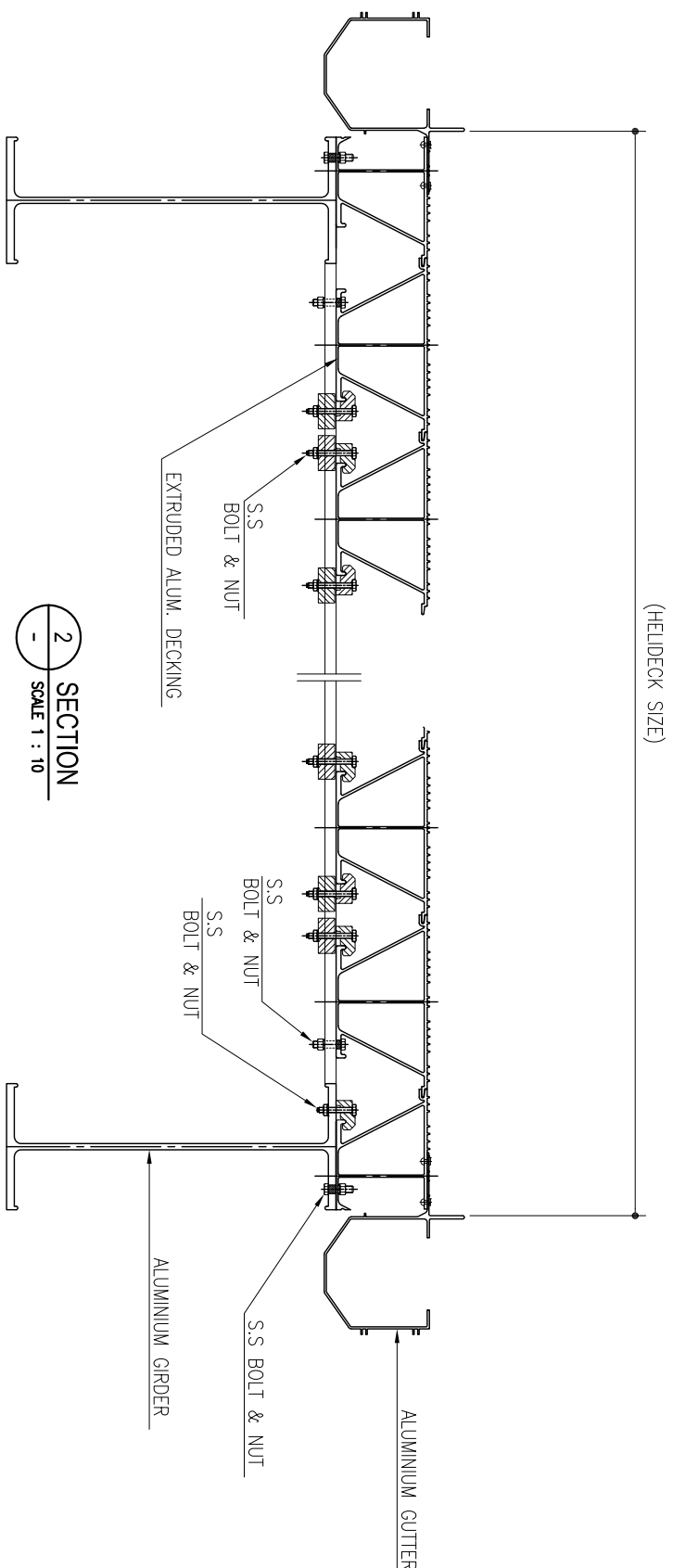
CUSTOMER	ABC
PROJECT NAME	ASTECH[®] ALUMINIUM HELDECK
DESCRIPTION	TYPICAL STEEL TRANSITION PLATE DETAILS


JOB NO.	HA	SCALE	DRAWING NO.
DESIGNED	NAME	AS SHOWN	CAD FILE NO.
DRAWN	DATE	REV.	SHEET/SHEETS
CHECKED	VR		

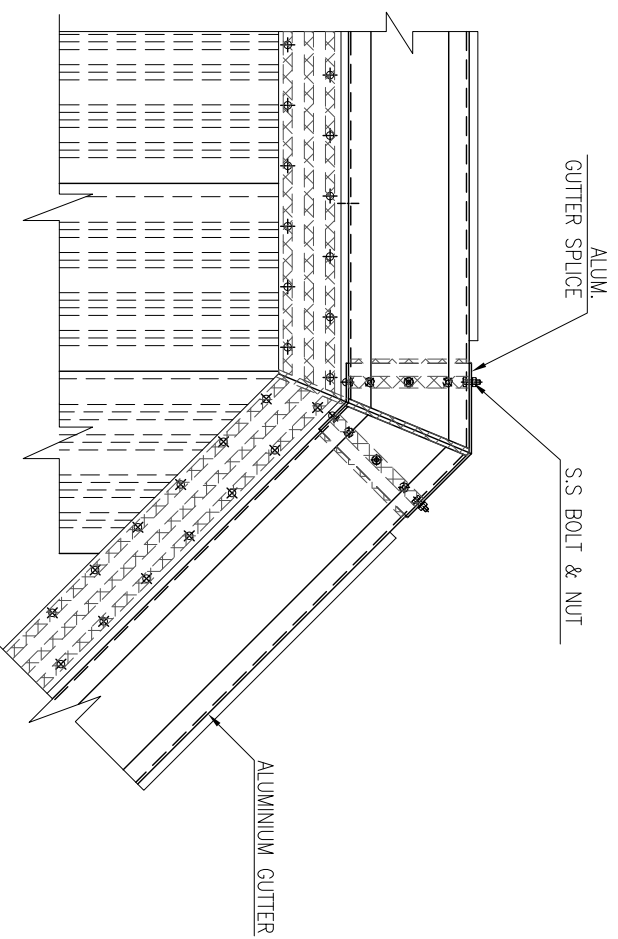
UNLESS OTHERWISE STATED, ALL DIMENSION ARE IN MM.



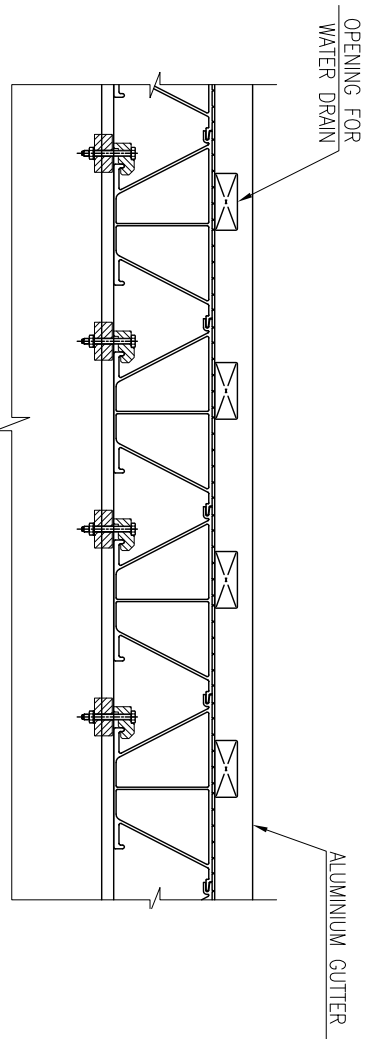
1
-
DETAIL OF DECKING JOINT
SCALE 1 : 10



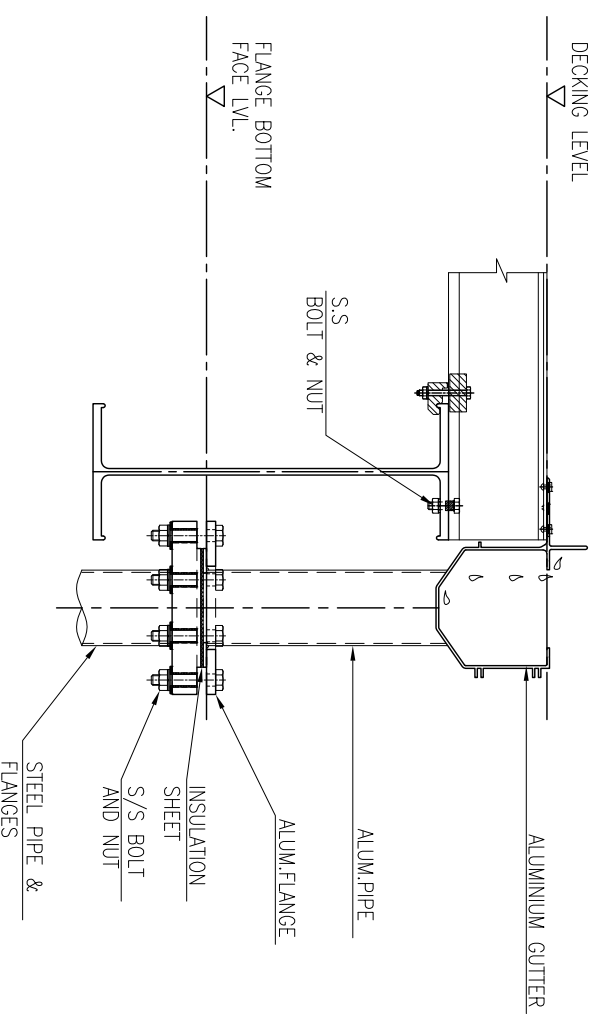
REV.	AMENDMENTS	INITIAL	DATE
NOTICE	THIS DRAWING AND THE INFORMATION IT CONTAINS ARE THE PROPERTY OF ALUMINIUM OFFSHORE PTE LTD AND MAY NOT BE REPRODUCED OR TRANSMITTED IN ANY FORM OR BY ANY MEANS, WITHOUT THE WRITTEN PERMISSION.		
 <p>Aluminium Offshore Pte Ltd 210 International Business Park #10-08 The Strategy Tower 1 Singapore 609930 T: +65 6316 1232 F: +65 6316 1242 aoff@aluminium-offshore.com Company Registration No.: 189206651K</p>			
CUSTOMER		ABC	
PROJECT NAME ASTECH® ALUMINIUM HELDECK			
DESCRIPTION TYPICAL DECKING CONNECTION DETAILS			
JOB NO.	HA	SCALE	DRAWING NO.
DESIGNED	NAME	HA/-/-	HA/-/-
DRAWN	DATE	AS SHOWN	HA/-/-
CHECKED	VR	REV.	SHEET/SHEETS
UNLESS OTHERWISE STATED, ALL DIMENSIONS ARE IN MM.			



1 TYP. GUTTER CONNECTION
SCALE 1 : 10



B1 SECTION
SCALE 1 : 10



2 TYP. GUTTER / SCUPPER DETAIL.
SCALE 1 : 10

REV.	AMENDMENTS	INITIAL	DATE

NOTICE
THIS DRAWING AND THE INFORMATION IT CONTAINS ARE THE PROPERTY OF ALUMINIUM OFFSHORE PTE. LTD. AND MAY NOT BE REPRODUCED, COPIED, STORED, RETRIEVED, TRANSMITTED, OR OTHERWISE MADE AVAILABLE IN ANY FORM OR BY ANY MEANS, WITHOUT THE WRITTEN PERMISSION OF ALUMINIUM OFFSHORE PTE. LTD.

Aluminium Offshore
Aluminium Offshore Pte. Ltd.
21 International Business Park #10-08
The Strategy Tower 1 Singapore 600930
T: +65 6318 1232 F: +65 6318 1282
aop@aluminium-offshore.com
Company Registration No. 189206651K

CUSTOMER
ABC

PROJECT NAME
ASTECH® ALUMINIUM HELDECK

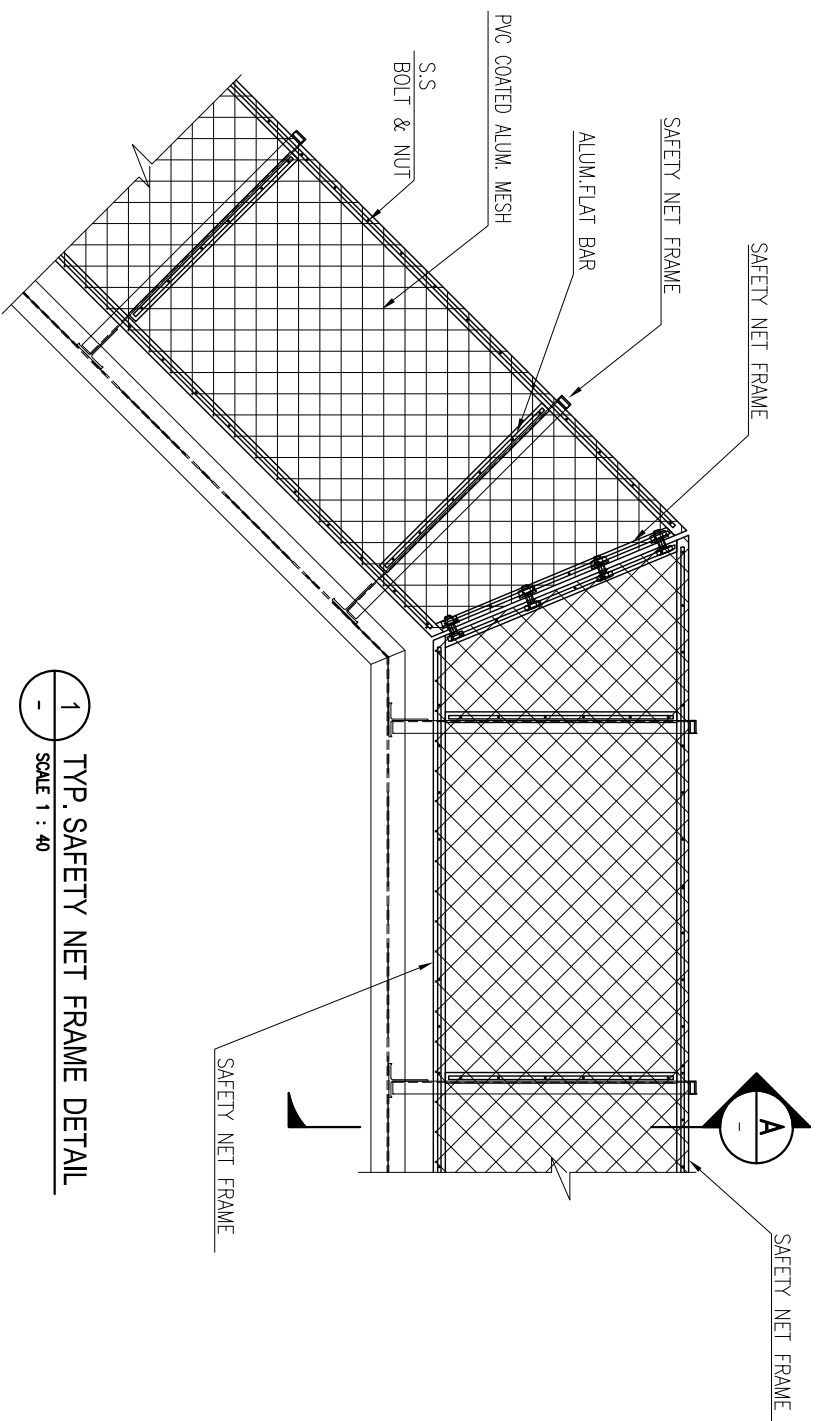
DESCRIPTION
TYPICAL GUTTER & SCUPPER CONNECTION DETAILS

JOB NO.	HA	SCALE	DRAWING NO.
			HA/-/

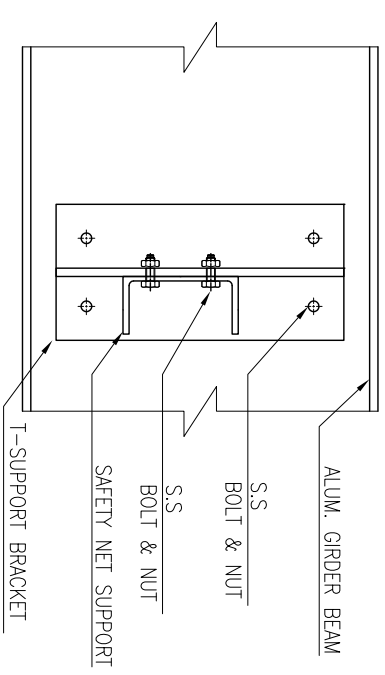
DESIGNED	DATE	AS SHOWN	HA/-/

CHECKED	VR	REV.	SHEET/SHEETS

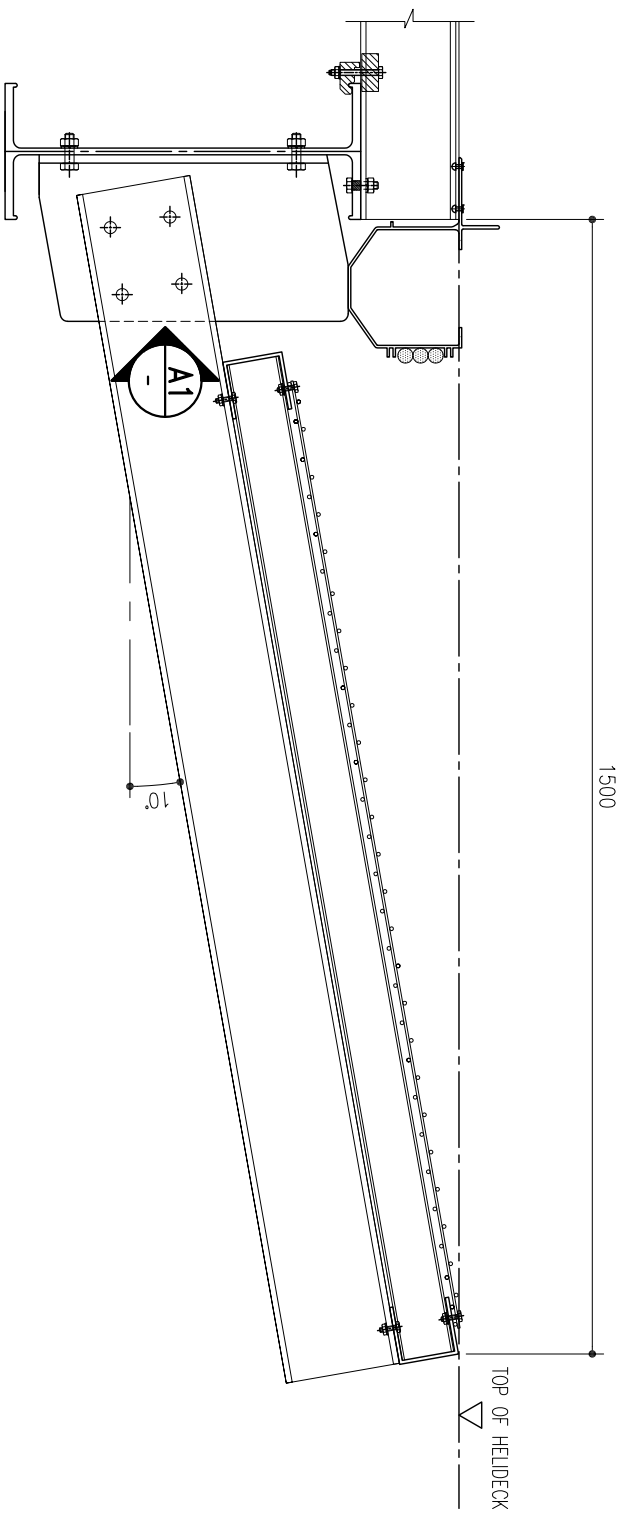
UNLESS OTHERWISE STATED, ALL DIMENSIONS ARE IN MM.



1 TYP. SAFETY NET FRAME DETAIL
SCALE 1 : 40

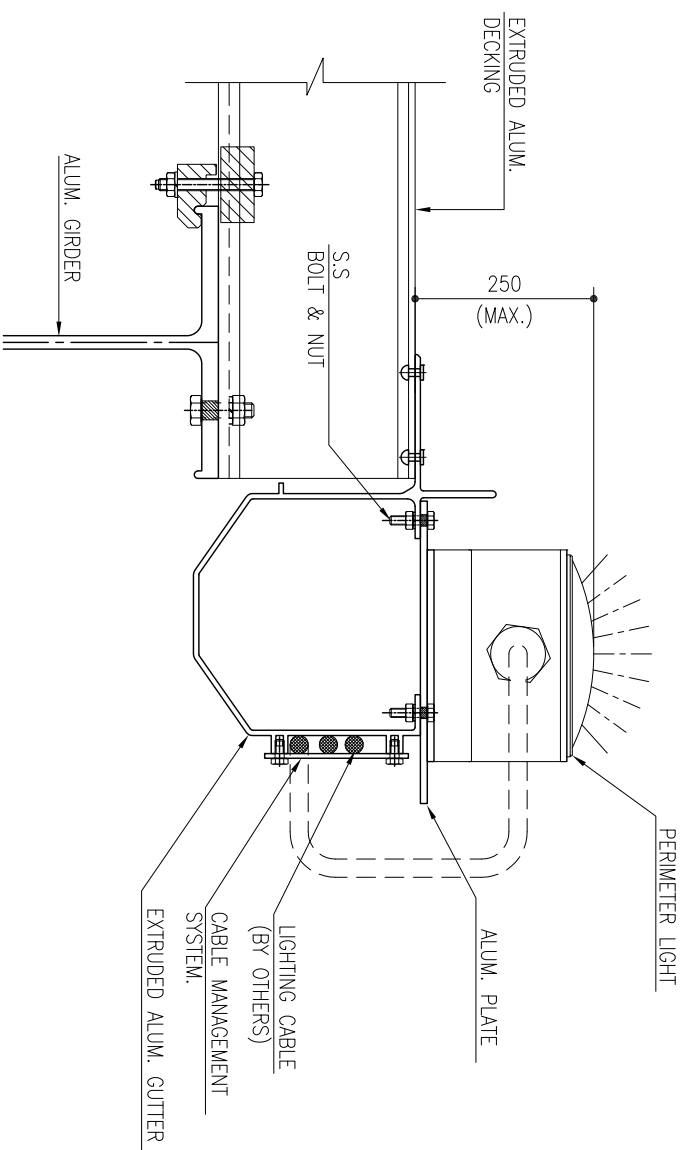


A1 VIEW
SCALE 1 : 10

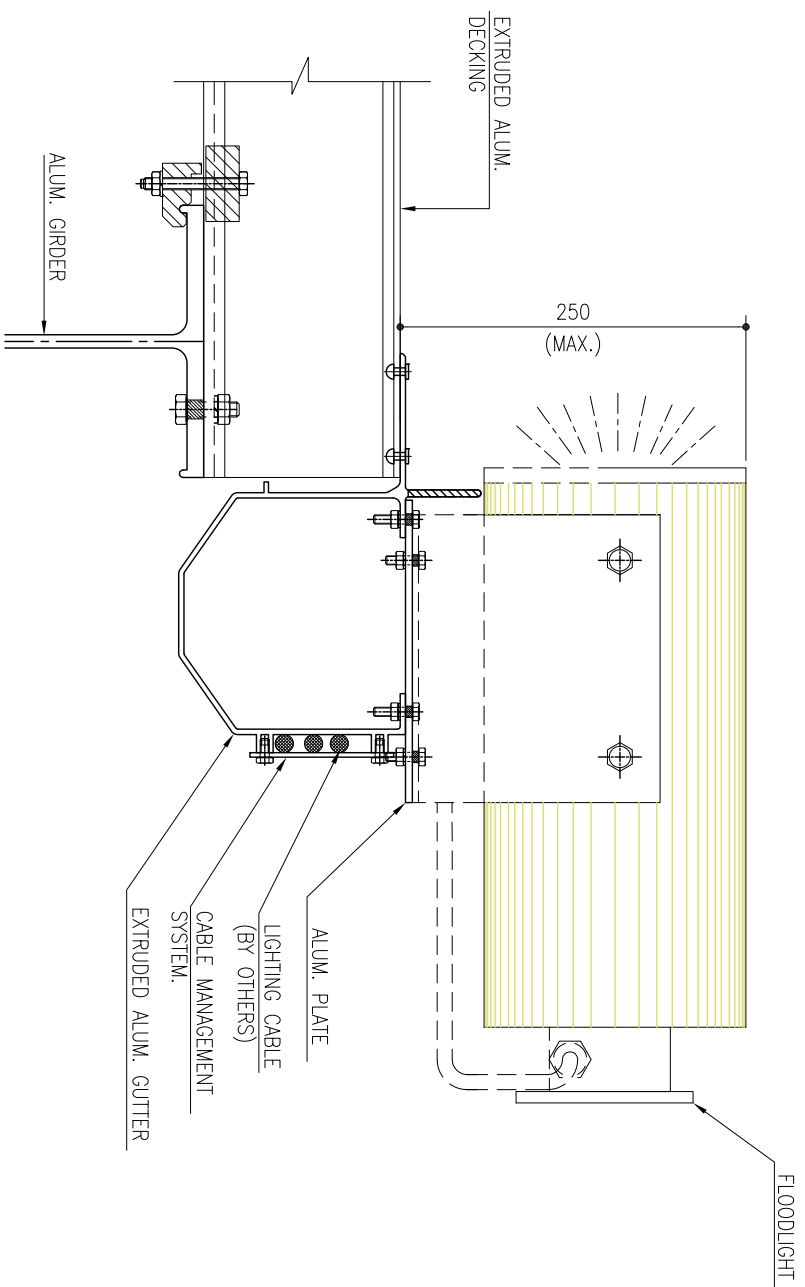


A SECTION
SCALE 1 : 10

REV.	AMENDMENTS	INITIAL	DATE
NOTICE	THIS DRAWING AND THE INFORMATION IT CONTAINS ARE THE PROPERTY OF ALUMINIUM OFFSHORE PTE LTD AND MAY NOT BE REPRODUCED OR TRANSMITTED IN ANY FORM OR BY ANY MEANS, WITHOUT PERMISSION.		
<p>Aluminium Offshore Pte Ltd 21 International Business Park #10-08 The Strategy Tower 1 Singapore 609930 T: +65 6316 1232 F: +65 6316 1242 aoff@aluminium-offshore.com Company Registration No. 189206651K</p>			
CUSTOMER		ABC	
PROJECT NAME ASTECH® ALUMINIUM HELIDECK			
DESCRIPTION TYPICAL SAFETY NET CONNECTION DETAILS			
JOB NO.	HA	SCALE	DRAWING NO.
DESIGNED	NAME	DATE	HA/-/
DRAWN	AS SHOWN	REV.	HA/-/
CHECKED	VR	SHEET/SHEETS	
UNLESS OTHERWISE STATED, ALL DIMENSIONS ARE IN MM.			



1 PERIMETER LIGHT FIXING DETAIL
SCALE 1 : 5



2 FLOODLIGHT FIXING DETAIL
SCALE 1 : 5

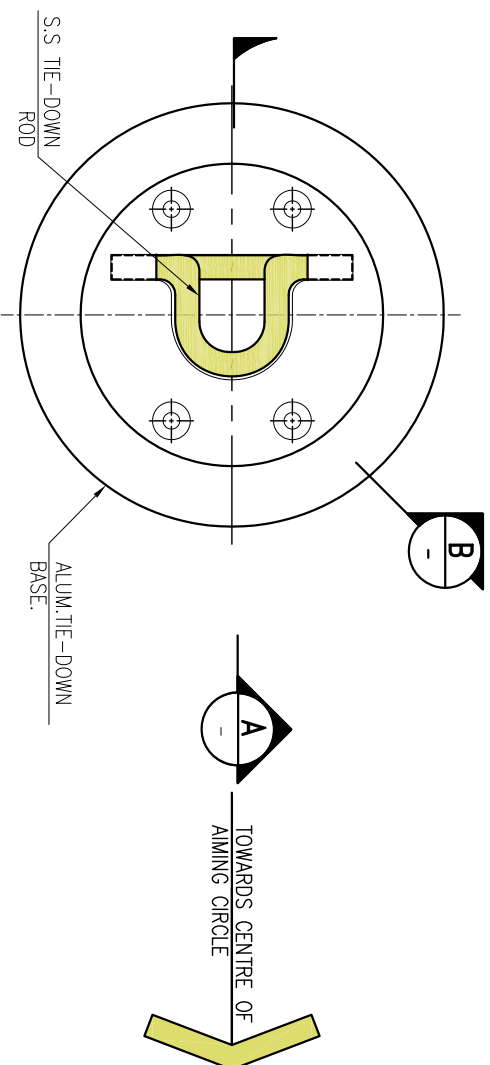
REV.	AMENDMENTS	INITIAL	DATE

NOTICE	THIS DRAWING AND THE INFORMATION IT CONTAINS ARE THE PROPERTY OF ALUMINIUM OFFSHORE PTE LTD AND MAY NOT BE REPRODUCED OR TRANSMITTED IN ANY FORM OR BY ANY MEANS, ELECTRONIC OR MECHANICAL, WITHOUT PERMISSION.
Aluminium Offshore	Aluminium Offshore Pte Ltd 2 International Business Park #10-08 The Strategy Tower 1 Singapore 600930 T: +65 6316 1232 F: +65 6316 1242 alp@aluminium-offshore.com Company Registration No. 189206651K

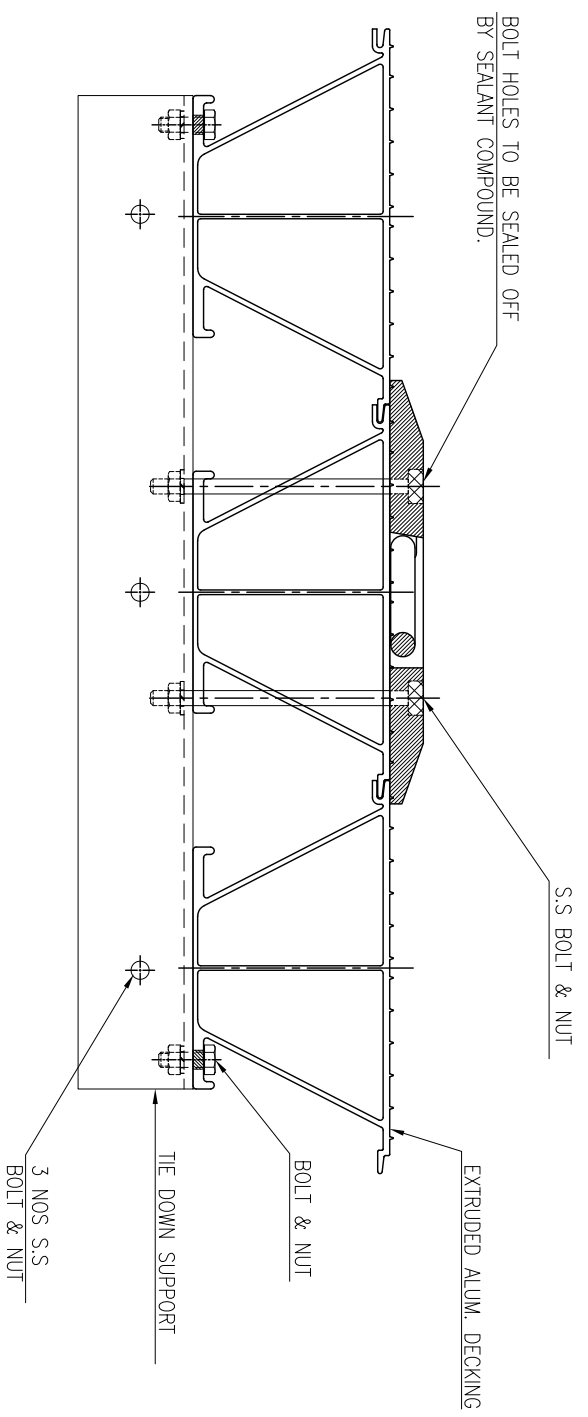
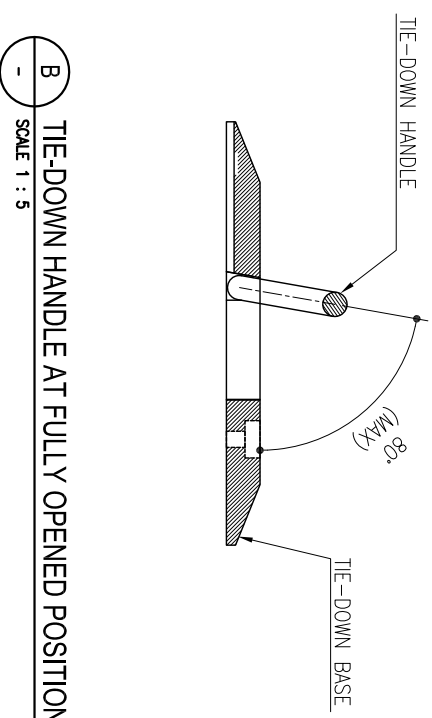
CUSTOMER	ABC
PROJECT NAME	ASTECH ALUMINIUM HELDECK

DESCRIPTION			
TYPICAL LIGHTING SUPPORT DETAILS			
JOB NO.	HA	SCALE	DRAWING NO.
DESIGNED	NAME	DATE	HA/-/
DRAWN	AS SHOWN	HA/-/	
CHECKED	VR		

UNLESS OTHERWISE STATED ALL DIMENSION ARE IN MM



1 TYP. TIE DOWN ASSEMBLY PLAN
SCALE 1 : 5



REV.	AMENDMENTS	INITIAL	DATE

NOTICE

THIS DRAWING AND THE INFORMATION IT CONTAINS ARE THE PROPERTY OF ALUMINIUM OFFSHORE PTE LTD AND MAY NOT BE REPRODUCED OR TRANSMITTED IN ANY FORM OR BY ANY MEANS, ELECTRONIC OR MECHANICAL, INCLUDING PHOTOCOPYING, RECORDING, OR BY ANY INFORMATION STORAGE AND RETRIEVAL SYSTEM, WITHOUT THE WRITTEN PERMISSION OF ALUMINIUM OFFSHORE PTE LTD.

Aluminium Offshore

Aluminium Offshore Pte Ltd
2 International Business Park #10-08
The Strategy Tower 1 Singapore 600930
T +65 6316 1232 F +65 6316 1242
aoff@aluminium-offshore.com
Company Registration No.: 199206651K

CUSTOMER

ABC

PROJECT NAME

ASTECH® ALUMINIUM HELDECK

DESCRIPTION

TYPICAL TIE DOWN FIXING DETAILS

JOB NO.	HA	SCALE	DRAWING NO.
			HA/-/
DESIGNED			AS SHOWN
DRAWN			
CHECKED	VR		

UNLESS OTHERWISE STATED ALL DIMENSION ARE IN MM